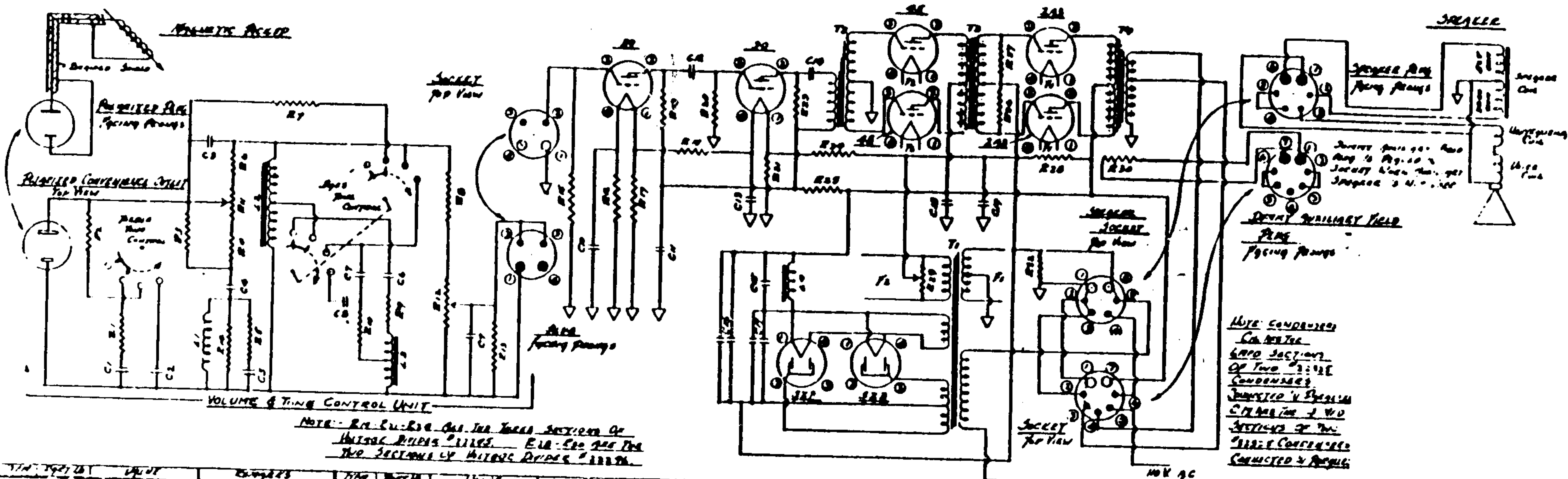


SOUND SYSTEM FOR MODEL-35.

PICKUP - PART N° 22377
VOLUME CONTROL - PART N° 22521
AMPLIFIER - 680 - #22357
SPEAKER - PART N° 2232



NOTE: R1-R18-R19 ARE THE TUBE SECTIONS OF
 HITTORF RESISTORS #11185. R18-R19 ARE THE
 TWO SECTIONS OF HITTORF RESISTOR #11186.

TYPE	VALUE	RESISTORS	TUBE PARTS	VALUES	VALUES	TUBE PARTS	VALUES	VALUES	TUBE PARTS	VALUES	VALUES
R1	22327	2500 OHM	E17	22323	3,000 OHM	E	22322	500 MFD	C1	22322	500 MFD
R2	20721	5,000 OHM	E18	20855	150,000 OHM	E	22323	0.15 MFD	C2	22323	0.15 MFD
R3	22526	25,000 OHM	E19	22375	100,000 OHM	E	22324	0.15 MFD	C3	22324	0.15 MFD
R4	20709	3,500 OHM	E20	20855	150,000 OHM	E	22325	0.15 MFD	C4	22325	0.15 MFD
R5	20702	3,500 OHM	E21	22375	150,000 OHM	E	22326	0.15 MFD	C5	22326	0.15 MFD
R6	22516	25,000 OHM	E22	22379	500 OHM	E	22327	0.15 MFD	C6	22327	0.15 MFD
R7	21719	50,000 OHM	E23	22381	25,000 OHM	E	22328	0.15 MFD	C7	22328	0.15 MFD
R8	20244	15,000 OHM	E24	22385	100,000 OHM	E	22329	0.15 MFD	C8	22329	0.15 MFD
R9	21527	2,500 OHM	E25	22388	25,000 OHM	E	22330	0.15 MFD	C9	22330	0.15 MFD
R10	22325	1,000 OHM	E26	22322	25,000 OHM	E	22331	0.15 MFD	C10	22331	0.15 MFD
R11	22326	50,000 OHM	E27	22322	25,000 OHM	E	22332	0.15 MFD	C11	22332	0.15 MFD
R12	22327	50,000 OHM	E28	20465	20 OHM	E	22333	0.15 MFD	C12	22333	0.15 MFD
R13	22328	2,000 OHM	E29	22326	10,000 OHM	E	22334	0.15 MFD	C13	22334	0.15 MFD
R14	21827	50,000 OHM	E30	20465	20 OHM	E	22335	0.15 MFD	C14	22335	0.15 MFD
R15	22327	500,000 OHM	E31	22326	1,000 OHM	E	22336	0.15 MFD	C15	22336	0.15 MFD
R16	22328	45 OHM	E			E			C16	22337	0.15 MFD

VOLTAGES AND CURRENTS OF MODEL-680-AMPLIFIER. ALL VOLTAGES MEASURED WITH 1000-OHMS PER VOLT VOLTMETER. ALL MEASUREMENTS MADE WITH LINE VOLTAGE 115-VOLTS, 60-CYCLE AT THE AMPLIFIER.

PLATE VOLTAGE MEASURED FROM PLATE + TO FILAMENT -		PLATE CURRENTS:-		GRID VOLTAGE MEASURED FROM GRID - TO FILAMENT +.		FILAMENT VOLTAGE MEASURED ACROSS FILAMENT.	
OUTPUT 2A3	360-VOLTS D.C.	OUTPUT 2A3	37.0 - M.A. D.C.	OUTPUT - 2A3	74-VOLTS D.C.	OUTPUT 2A3	2.5-VOLTS A.C.
OUTPUT 2A3	360-VOLTS D.C.	OUTPUT - 45	37.0 - M.A. D.C.	2A3	74-VOLTS D.C.	OUTPUT 2A3	2.5-VOLTS A.C.
- 45	275-VOLTS D.C.	- 45	32.0 - M.A. D.C.	- 45	62-VOLTS D.C.	- 45	2.5-VOLTS A.C.
- 45	275-VOLTS D.C.	- 30	2.5 - M.A. D.C.	- 45	62-VOLTS D.C.	- 45	2.5-VOLTS A.C.
- 30	157-VOLTS D.C.	- 30	1.2 - M.A. D.C.			- 30	2.0-VOLTS D.C.
- 30	37-VOLTS D.C.					- 30	2.0-VOLTS D.C.

525-OHM SPEAKER FIELD VOLTAGE MEASURED FROM #1-CONTACT TO #6-CONTACT ON SPEAKER SOCKET. - 72.5-VOLTS D.C.
 2400-OHM SPEAKER FIELD VOLTAGE MEASURED FROM #1-CONTACT TO #2-CONTACT ON SPEAKER SOCKET - 260-VOLTS D.C.